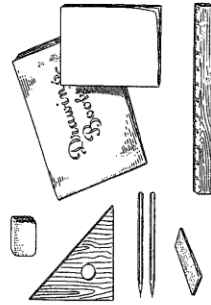


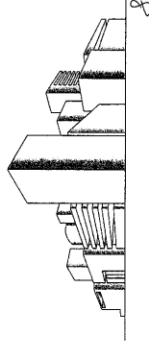
HILLCREST HIGH SCHOOL

MIDYEAR EXAMINATION

ENGINEERING, GRAPHICS & DESIGN



GRADE 11
2017
PAPER 1



MARKS: 125 **TIME:** 2 HOURS

INSTRUCTIONS TO CANDIDATES

- This question paper consists of 4 pages including the cover page and 3 questions.
- All questions must be answered.
- Unless specified otherwise, all questions are in First Angle Orthographic Projection.
- Unless specified otherwise, all questions are to be completed to a scale of 1:1.
- All answer sheets must be re-stapled in numerical order, even questions that are not attempted/blank.
- All construction work must be shown, even if a stencil was used.
- Print your NAME neatly on each page.
- Use only the drawing sheets provided.
- Your drawings should reflect neatness and accuracy.
- All dimensions or detail not given may be assumed in good proportion.

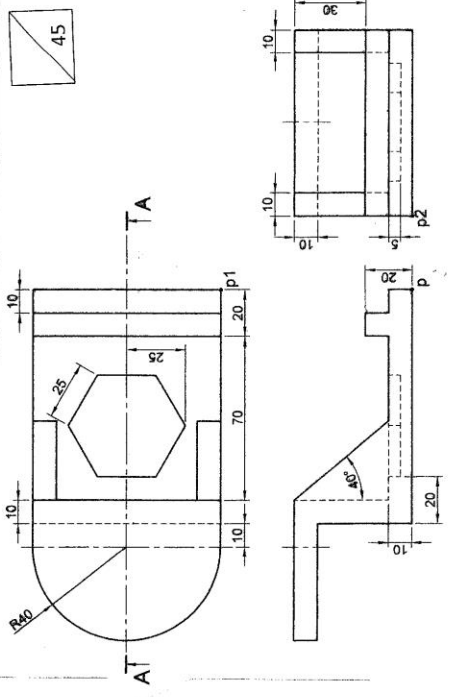
QUESTION	SECTION	MARKS	MODERATE	MAXIMUM
1	CIVIL ENVIRONMENTAL			40
2	SECTIONING ISOMETRIC			45
3	2-D POINT PERSPECTIVE			40
TOTAL				125
SYMBOL				100

NAME

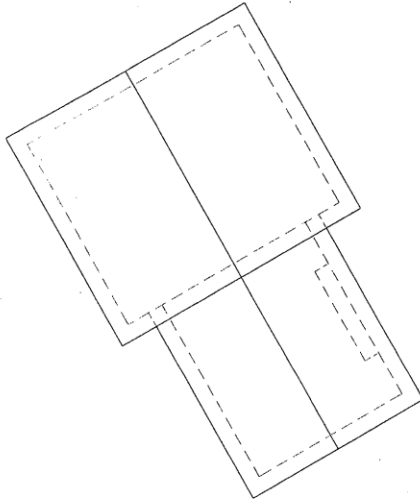
The figure shows the front view, top view and right view of a CASTING drawn in Third Angle Orthographic projection. The casting is cut by a cutting plane A-A.

Use your instruments to draw a Sectional Isometric view of the casting, on the cutting plane A-A. Use scale 1:1. Use point P as a reference point on your drawing. Do NOT show hidden details. Show all construction. X-Hatch all the sectioned areas. Insert centre lines.

- ASSESSMENT CRITERIA**
- You will be assessed on your ability to do the following:
- draw the isometric view 36
 - draw the isometric circle arcs 1
 - draw the isometric construction for circles 1
 - draw the construction for the pentagon 1
 - areas of no section 1
 - draw the angle construction 1
 - X-Hatch the sectioned areas 4



Name: _____
 Teacher: _____



The figure shows the views of a simple dwelling.
 Draw a neat TWO POINT PERSPECTIVE drawing
 of the given dwelling.
 Show all construction.
 Label the vanishing points LVP and RVP.
 Do not show any hidden detail.

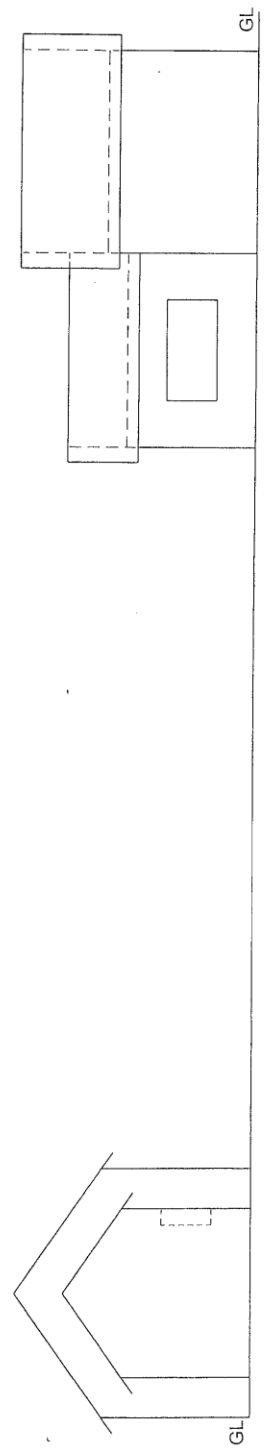
ASSESSMENT CRITERIA
 You will be assessed on your ability to do
 the following:

- find the vanishing points 4
- draw the 2pt perspective 32
- show all constructions 4

40

PP

HL



Name: _____
 Teacher: _____